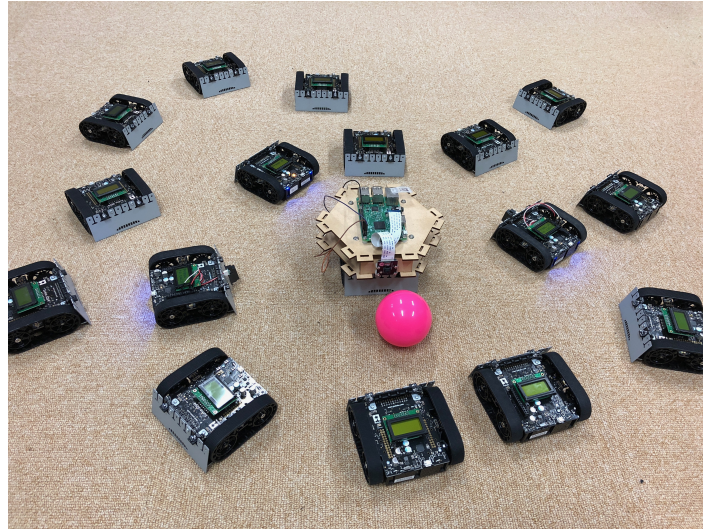
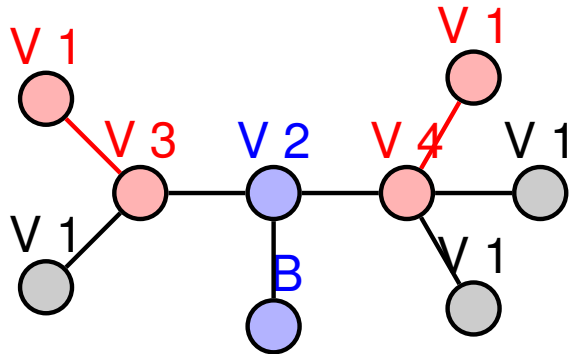
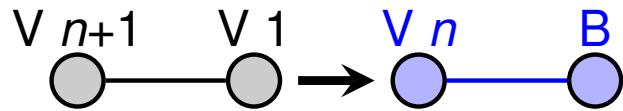


Verification of Distributed Systems

a critical nightmare

Models...



Soundness

→ Formal **proof** (Coq)
init. + lab. session

Automation

→ **Rewriting** based
Focus: Termination
Strategies...

Problems

- **Nondeterminism** and **Uncertainty**
- **Faults** and **attacks**
- **Dynamicity**

Grading: (exam +) articles

XU - M2IF - CR05 2019/2020

S. Tixeuil, X. Urbain